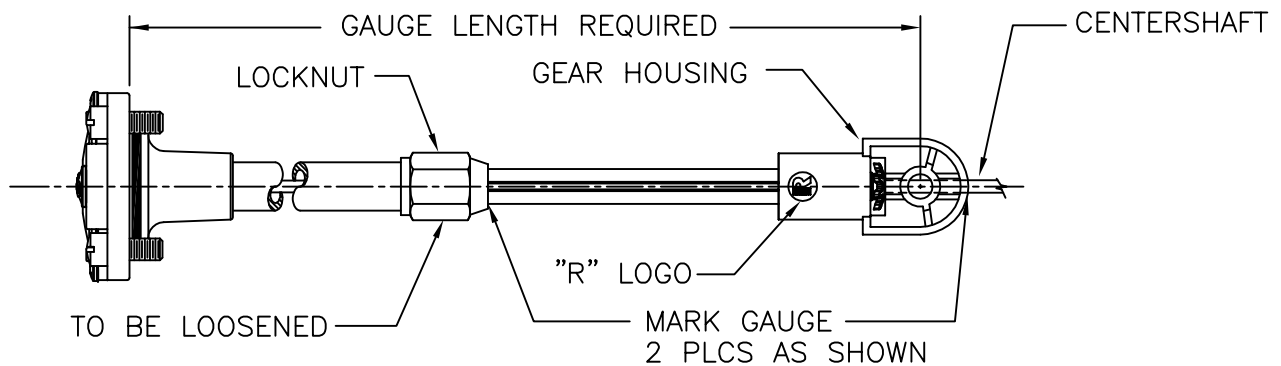


MATERIAL

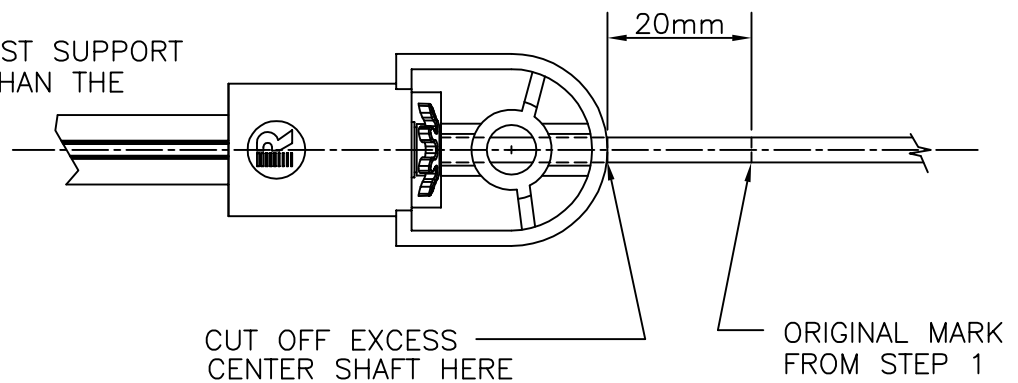
DRAWING NUMBER

STEP 1:

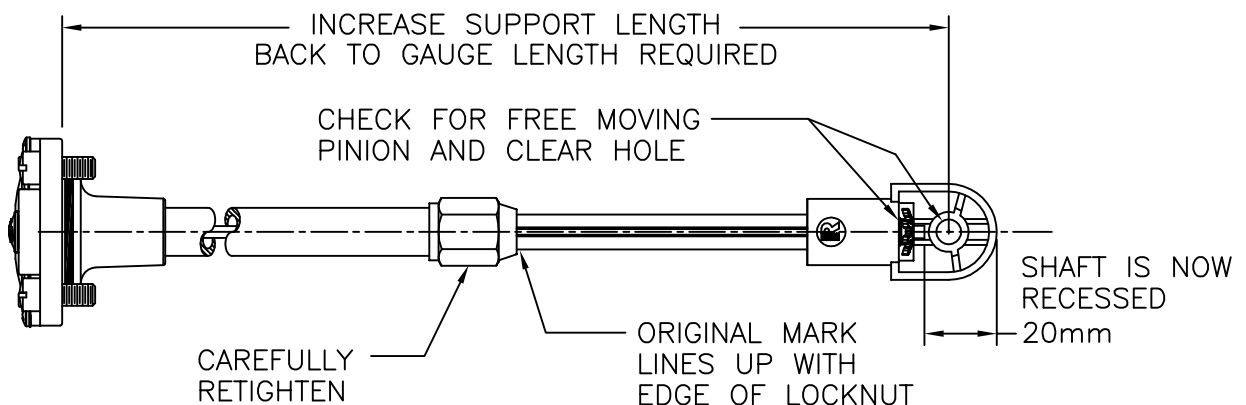


STEP 2:

TEMPORARILY ADJUST SUPPORT
20mm SHORTER THAN THE
GAUGE LENGTH



STEP 3:



LET	REVISIONS	E.R.#	DATE	LET	REVISIONS	E.R.#	DATE

TOLERANCES NOT SHOWN	MAT'L: COMMERCIAL TOLERANCES	DRAWN RR	CHK.	E.R.# xxxxx	DO NOT SCALE DRAWING
----------------------	---------------------------------	-------------	------	----------------	-------------------------

	ROCHESTER GAUGES INTL BELGIUM	SUPERSEDES NEW	USED ON
--	----------------------------------	-------------------	------------

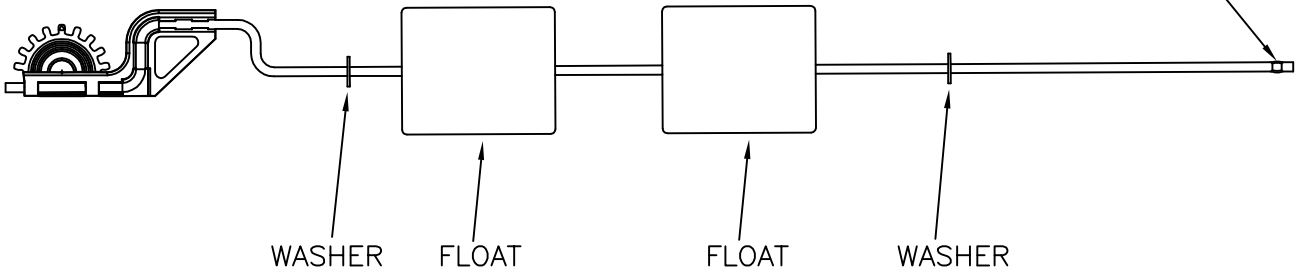
SCALE NONE	DATE 07/12/2011	PART NAME ADJUSTABLE GAUGE ASSEMBLY	DRAWING NUMBER 6587S04xxx
---------------	--------------------	--	------------------------------

MATERIAL

DRAWING NUMBER

FLOAT AS SHIPPED

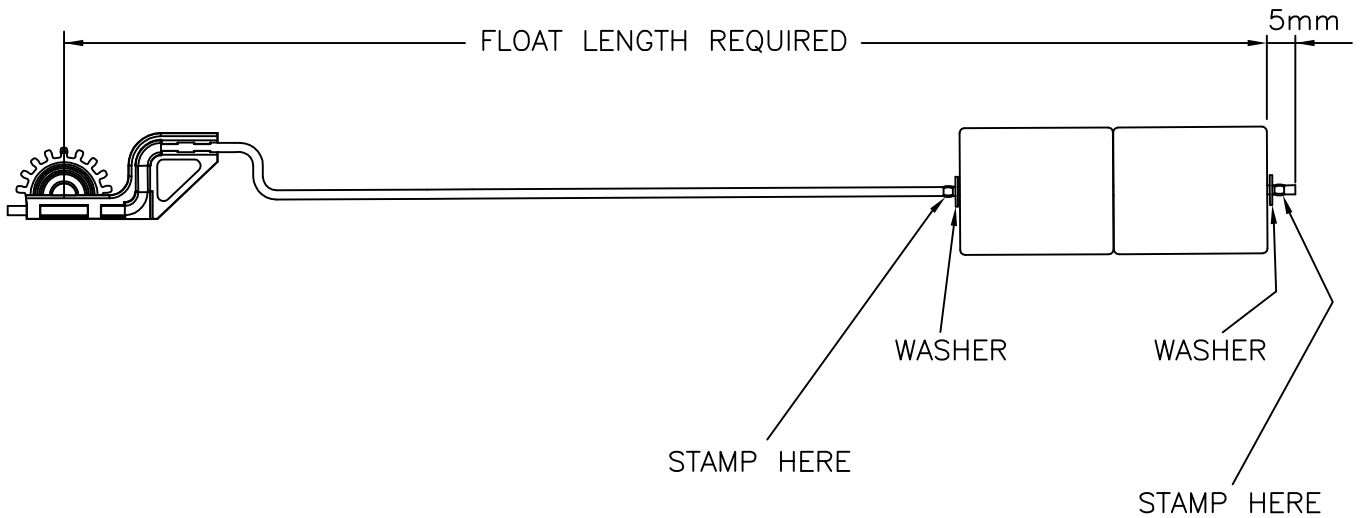
STAMPED TO RETAIN WASHER AND FLOAT DURING SHIPMENT




STEP 4:

NOTE:

CUT FLOAT ROD AS REQUIRED

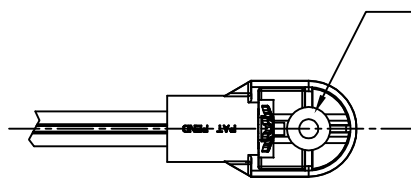


LET	REVISIONS	E.R.#	DATE	LET	REVISIONS	E.R.#	DATE
TOLERANCES NOT SHOWN		MAT'L: COMMERCIAL TOLERANCES		DRAWN RR	CHK.	E.R.# xxxxx	DO NOT SCALE DRAWING
 ROCHESTER GAUGES INTL BELGIUM				SUPERSEDES NEW		USED ON	
SCALE NONE	DATE 07/12/2011	PART NAME ADJUSTABLE GAUGE ASSEMBLY			DRAWING NUMBER 6587S04xxx		

MATERIAL

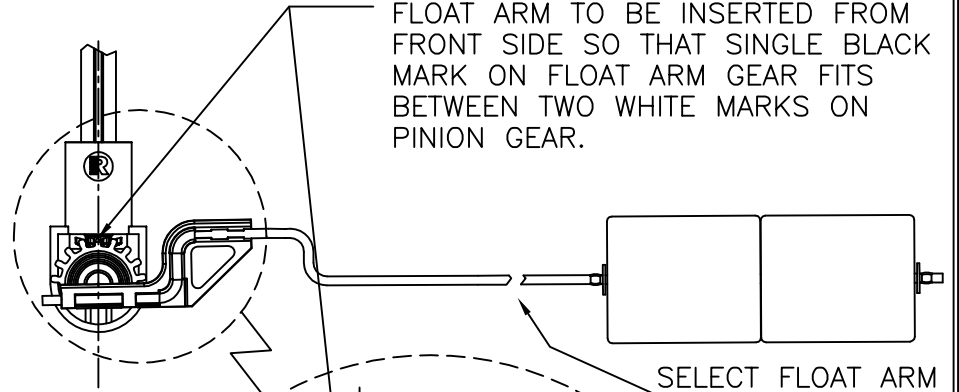
DRAWING NUMBER

STEP 5:



INSERT BRASS BEARING,
0109-00495, THROUGH
THIS SIDE OF GEAR HOUSING

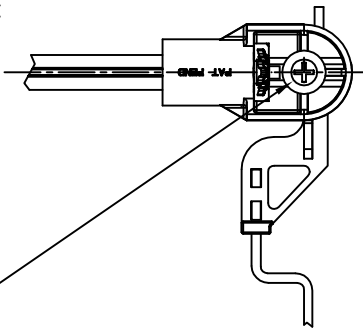
STEP 6:



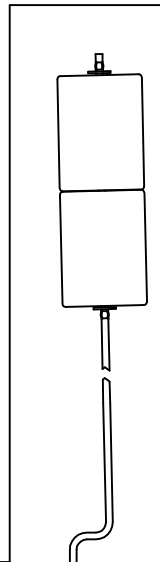
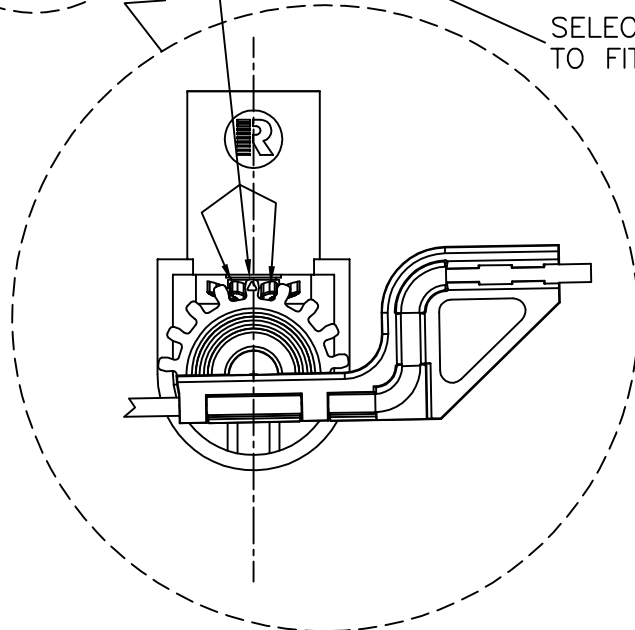
FLOAT ARM TO BE INSERTED FROM
FRONT SIDE SO THAT SINGLE BLACK
MARK ON FLOAT ARM GEAR FITS
BETWEEN TWO WHITE MARKS ON
PINION GEAR.

SELECT FLOAT ARM
TO FIT TANK

STEP 7:

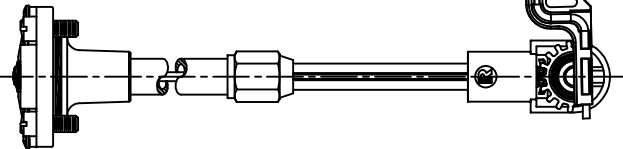



INSERT SCREW, 0040-00479,
WITH #2 PHILLIPS SCREWDRIVER
PROPERLY TIGHTENED



STEP 8:

DIAL SHOULD READ APPROXIMATELY
45-55% WITH FLOAT ARM AT 90°
TO SUPPORT. MOVE FLOAT ARM
UP AND DOWN TO CHECK FOR FREE
MOVEMENT



LET	REVISIONS	E.R.#	DATE	LET	REVISIONS	E.R.#	DATE
	TOLERANCES NOT SHOWN	MAT'L: COMMERCIAL TOLERANCES	DRAWN RR	CHK.	E.R.# xxxxx	DO NOT SCALE DRAWING	
 ROCHESTER GAUGES INTL BELGIUM				SUPERSEDES NEW		USED ON	
SCALE NONE	DATE 07/12/2011	PART NAME ADJUSTABLE GAUGE ASSEMBLY			DRAWING NUMBER 6587S04xxx		